

Technical Specifications – Plantview Workspace

Contents

Overview.....	2
1. Recommended Requirements.....	3
2. Plantview Workspace Installation and Updates.....	3
3. Shared network path.....	3
4. Performance.....	4
5. Usage restrictions.....	4
6. Documents Supported.....	5

Overview

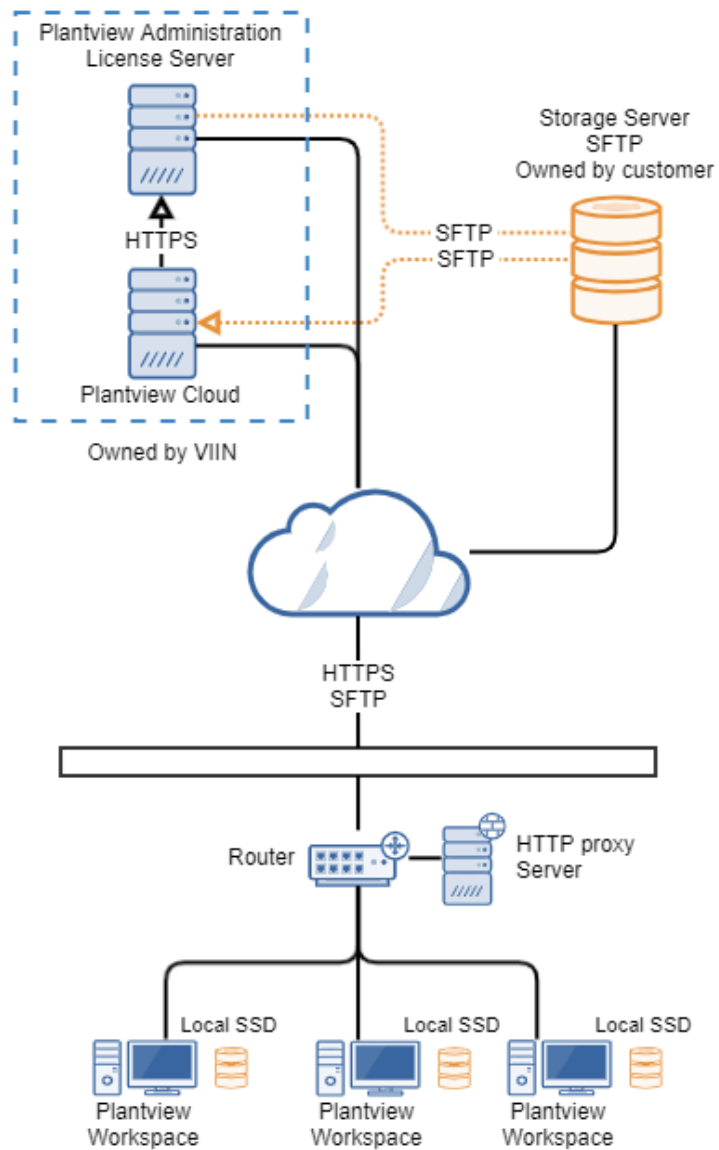
Plantview is a content management platform for visually organizing, viewing, annotating, and sharing 3D laser scans, 360° panorama images, photos, and documents.

The platform consists of three main components

Component	Business impact
Plantview Administration	Configuration, License, Project management, Storage, User management
Plantview Cloud	Navigation, Virtual tours, Project edit
Plantview Workspace	Visualization, Full project edit, External applications, Complete functionality

Plantview Workspace provides the client functionality in form of a Windows application.

Plantview Cloud provides the client functionality in form of a web application.



1. Recommended Requirements

	Editing	Viewing
Operating System	Windows 10	Windows 10
CPU	Intel i7	Intel i7
RAM	32 GB	16 GB
Hard Disk	2 TB SSD	2 TB HDD
Graphic Card	NVIDIA, AMD, Intel	NVIDIA, AMD, Intel

2. Plantview Workspace Installation and Updates

Plantview Workspace installations and updates occur by the Licensee.

Installation instructions for Plantview workspace can be found in the Support section of the product website.

<https://www.plantview.info/product.php>

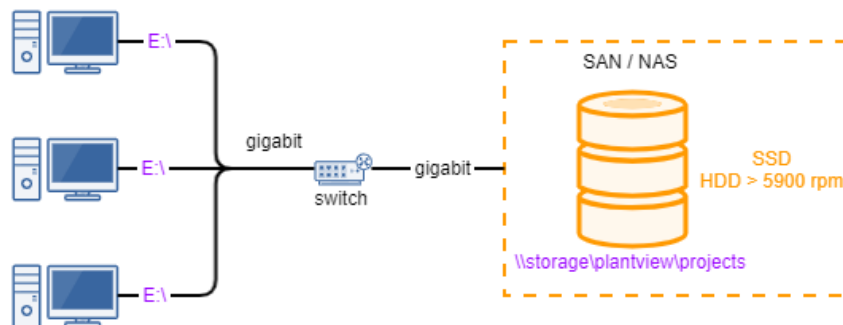
Instructions for the administrators to configure the proxy server can be found in the Support section of the product website.

<https://www.plantview.info/product.php>

3. Shared network path

An alternative solution to using the local SSD disk to store the project data on each client is to share a network path on SAN / NAS mapped on a Windows network drive.

This solution is recommended for project navigation and personal editing only



For better performance, full editing (analyzer) must be done using the local hard disk (SSD).

4. Performance

System performance and limitations may vary due to the following factors.

- Number of elements analyzed
- Elements on a tree
- Elements on a single layer
- Number of info points
- Info points on a single layer
- Info points on a panorama view or image
- Network capacity and speed
- Computer facility

Full editing (analyze) is recommended to be performed on a computer accessing data directly from a local SSD hard disk.

5. Usage restrictions

Plantview Workspace functionality varies depending on the platform used:

	Windows app	Cloud Desktop	Cloud Mobile
Manage data (add / remove)	✓	-	-
Storage management (upload / download)	✓	-	-
Project Import / Export	✓	-	-
Edit Project Structure	✓	✓	-
Place Elements including placeholders	✓	✓	✓
Virtual Tour	✓	✓	✓
View Scans, Panoramas, Images, PDF	✓	✓	✓
Place Hotspots in Scans, Panoramas, Images, PDF	✓	✓	✓
Run Plantview supported windows applications	✓	-	-
Measure functionality in Laser Scans	✓	-	-
Open and download PDF documents	✓	✓	✓
Info points management	✓	✓	✓

Categories management	✓	✓	✓
Share / Exclusion management	✓	✓	✓
Account administration	✓	✓	✓
Project administration	✓	✓	✓

Web clients run through a web browser application with no need for installation.

An internet connection and an active account is required.

Behavior and functionality between web clients vary and may be limited depending on the operating system used.

Plantview Workspace

Plantview Workspace saves only the project structure metadata to the Plantview Administration servers.

Plantview Cloud

The Plantview Cloud agent downloads and saves locally on the Plantview cloud server the following customer project data:

project name, project structure, images, panoramas, scan panoramas, PDFs.

6. Documents Supported

- Leica Truview local (Leica Truview local with automatic browser configuration)
- Scalypso laser scanning projects
- Photos (jpg and png) with image orientation
- Videos (wmv, mov, mp4, mpeg, avi, 3gp)
- 360° Panorama images. Equirectangular and cubic image support (jpg)
- PDF files
- Autodesk Navisworks Design Review (nwc, nwd)
- Autodesk Autocad (dwg)
- Autodesk Recap (rcp)
- Microstation (dgn)
- Microsoft Office (doc, docx, xls, xlsx, ppt, pptx)
- Open Office (odt, ods, odp)
- Notes (txt, rtf)
- Compressed files (zip, rar, 7z)

Leica Truviews, Scalypso Scans, Videos, Autodesk, Microstation, Office, notes and compressed files open with the default windows application.